

# **Exhibit A**



US00D456363S

(12) **United States Design Patent** (10) Patent No.: **US D456,363 S**  
Lee (45) Date of Patent: **\*\* Apr. 30, 2002**

(54) **CONNECTOR HOUSING**  
(75) Inventor: **Kendrew Lee**, Fremont, CA (US)  
(73) Assignee: **Monster Cable Products, Inc.**,  
Brisbane, CA (US)  
(\*\*) Term: **14 Years**

(74) *Attorney, Agent, or Firm*—LaRiviere, Grubman & Payne, LLP

(57) **CLAIM**

The ornamental design for a connector housing, as shown and described.

(21) Appl. No.: **29/142,470**  
(22) Filed: **May 25, 2001**  
(51) **LOC (7) Cl.** ..... **13-03**  
(52) **U.S. Cl.** ..... **D13/154**  
(58) **Field of Search** ..... **D13/133, 154,**  
**D13/156; 439/583-585, 750; 174/74 A,**  
**74 R, 138 F, 87**

**DESCRIPTION**

A portion of the disclosure of this design patent document contains material to which a claim of copyright protection is made. The copyright owner has no objection to the facsimile reproduction of the patent document or the patent disclosure as it appears in the U.S. Patent and Trademark office file or records, but reserves all other rights.

FIG. 1 is a perspective view of a connector housing, in accordance with the present invention.  
FIG. 2 is another perspective view thereof.  
FIG. 3 is a top view thereof.  
FIG. 4 is a frontal view thereof.  
FIG. 5 is a rear view thereof; and,  
FIG. 6 is another top view thereof.

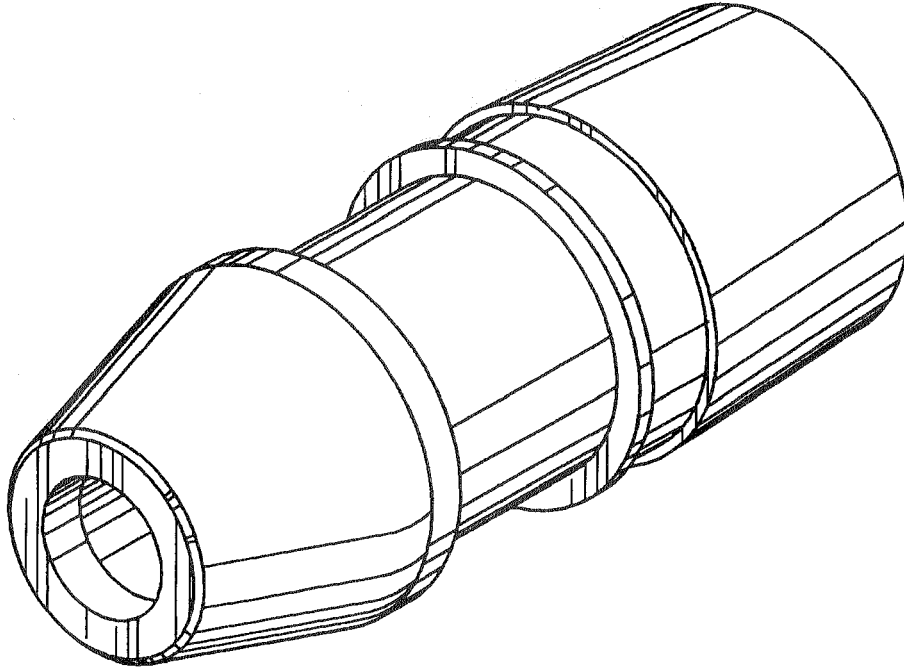
The broken lines showing the environment in FIGS. 1 & 6 are for illustrative purposes only and form no part of the claimed design.

(56) **References Cited**  
**U.S. PATENT DOCUMENTS**  
D206,662 S \* 1/1967 Karol ..... D13/156  
5,564,942 A \* 10/1996 Lee ..... 439/584  
D451,073 S \* 11/2001 Yasuda et al. .... D13/133

\* cited by examiner

*Primary Examiner*—Jennifer Rivard

**1 Claim, 3 Drawing Sheets**



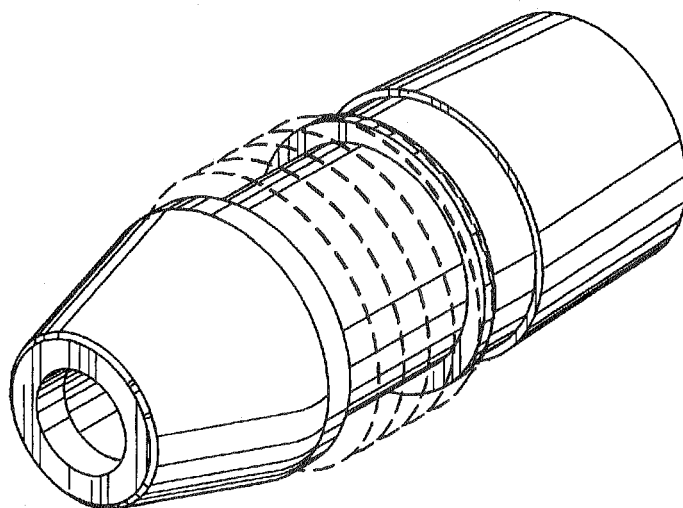


Figure 1

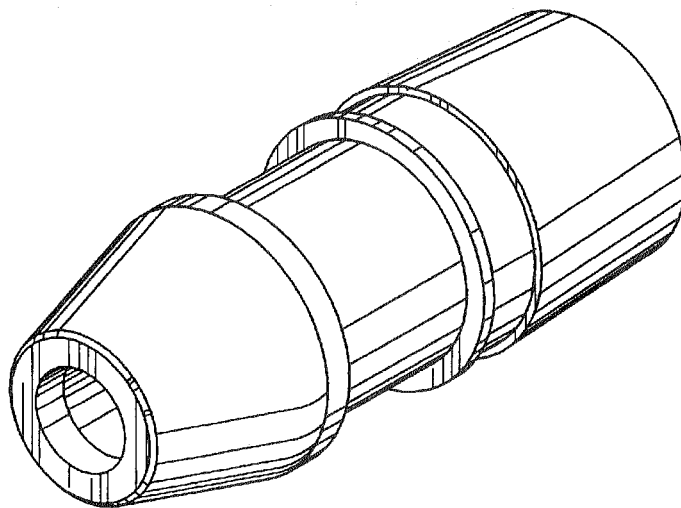


Figure 2

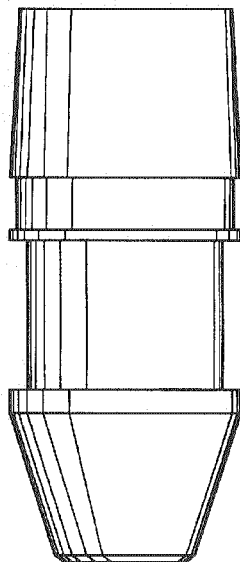


Figure 3

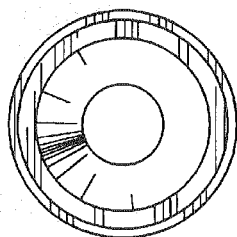


Figure 4

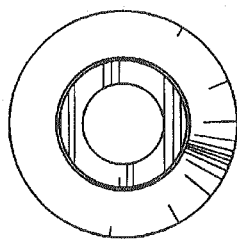


Figure 5

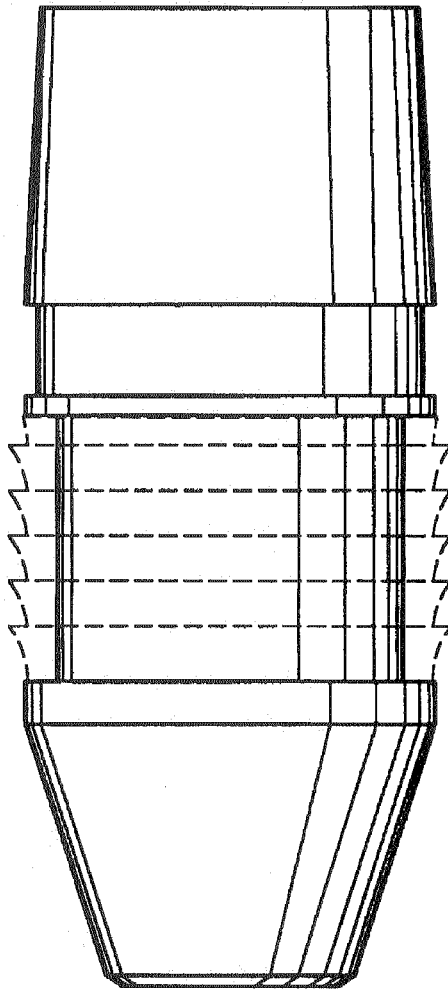


Figure 6

UNITED STATES PATENT AND TRADEMARK OFFICE  
**CERTIFICATE OF CORRECTION**

PATENT NO. : Des 456,363 S  
DATED : April 30, 2002  
INVENTOR(S) : Kendrew Lee

Page 1 of 1

It is certified that error appears in the above-identified patent and that said Letters Patent is hereby corrected as shown below:


Drawings.

Figure 1: add -- © 2001 Monster Cable Products, Inc. --  
Figure 2: add -- © 2001 Monster Cable Products, Inc. --  
Figure 3: add -- © 2001 Monster Cable Products, Inc. --  
Figure 4: add -- © 2001 Monster Cable Products, Inc. --  
Figure 5: add -- © 2001 Monster Cable Products, Inc. --  
Figure 6: add -- © 2001 Monster Cable Products, Inc. --

Signed and Sealed this

Thirtieth Day of July, 2002

Attest:



Attesting Officer

JAMES E. ROGAN  
Director of the United States Patent and Trademark Office

# **Exhibit B**



US00D366863S

# United States Patent [19]

[11] Patent Number: Des. 366,863

Lee

[45] Date of Patent: \*\*Feb. 6, 1996

[54] CABLE CONNECTOR

4,155,619 5/1979 Bray et al. .... 439/578  
4,932,897 6/1990 Lee et al. .... 439/578

[75] Inventor: Noel Lee, Daly City, Calif.

### OTHER PUBLICATIONS

[73] Assignee: **Monster Cable International, Ltd.**,  
Hamilton, Bermuda

Connectors on cover fo Lemo B Series Connectors Catalog, revd. Jun. 25, 1985. Located in examiner's office.

[\*\*] Term: 14 Years

Primary Examiner—Joel Sincavage  
Attorney, Agent, or Firm—Haynes and Boone

[21] Appl. No.: 37,656

[57] CLAIM

[22] Filed: Apr. 17, 1995

The ornamental design for the cable connector, as shown and described.

[52] U.S. Cl. .... D13/133

[58] Field of Search ..... D13/133; 439/578,  
439/583, 584, 668, 669, 675, 751, 825

### DESCRIPTION

### [56] References Cited

FIG. 1 is a perspective view of the cable connector showing my new design;

FIG. 2 is a side elevational view thereof;

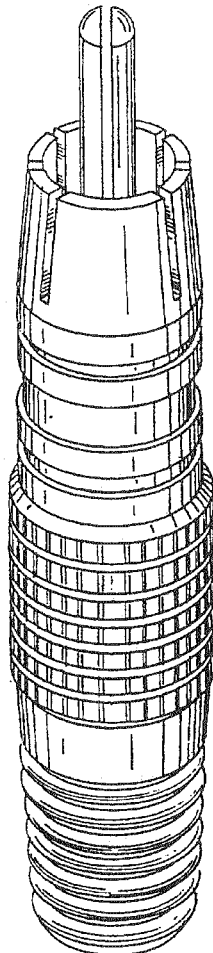
FIG. 3 is a top plan view thereof; and,

FIG. 4 is a bottom plan view thereof.

### U.S. PATENT DOCUMENTS

D. 323,643	2/1992	Lee	.....	D13/133
D. 325,023	3/1992	Lee et al.	.....	D13/133
D. 328,280	7/1992	Lee	.....	D13/133
D. 329,223	9/1992	Lee	.....	D13/133

1 Claim, 1 Drawing Sheet



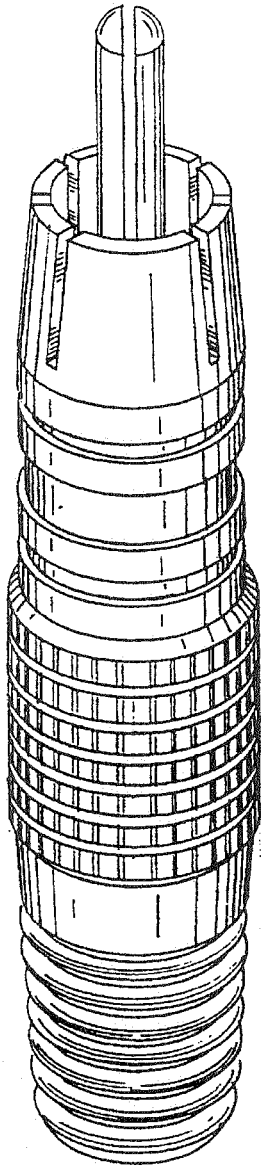


FIG. 1

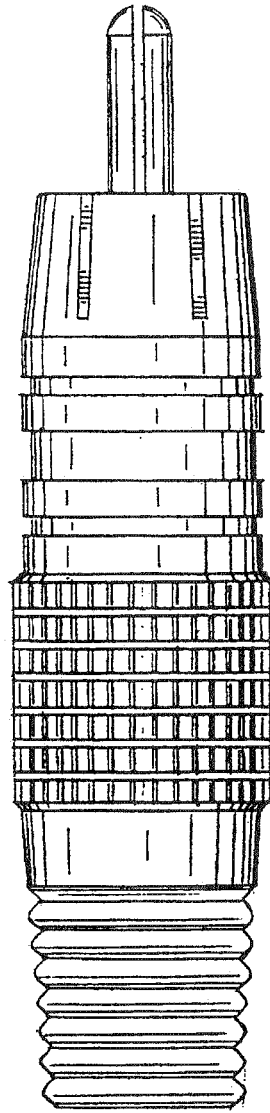


FIG. 2

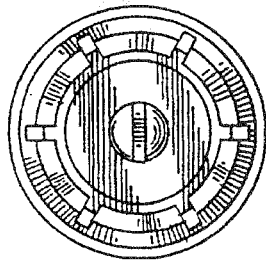


FIG. 3

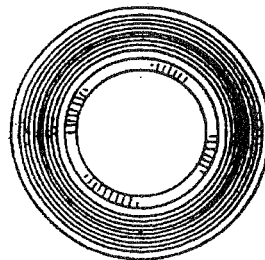


FIG. 4

# **Exhibit C**

